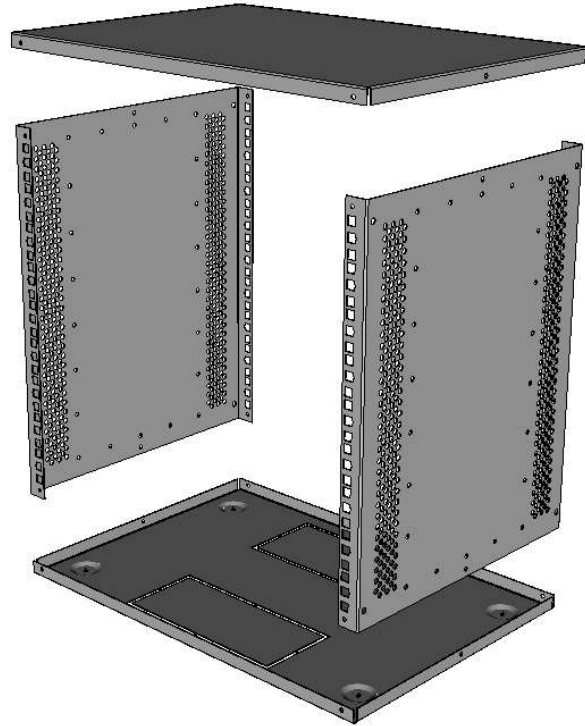



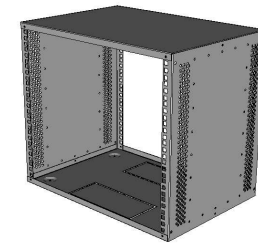
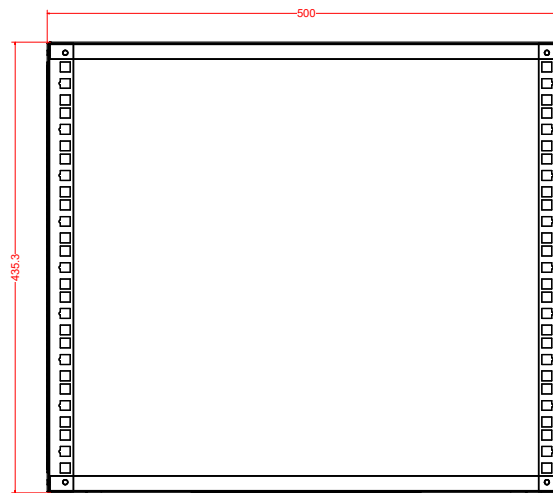
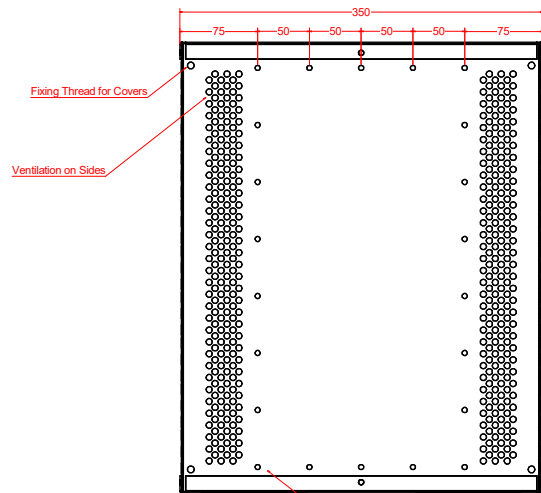
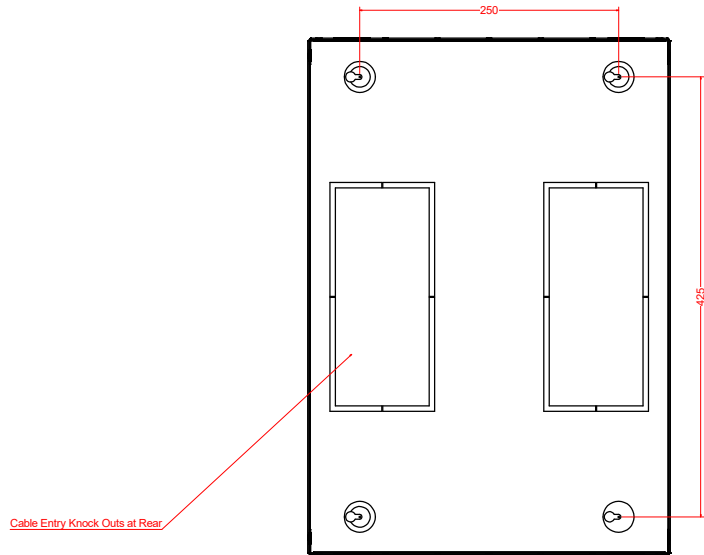
Name	Description	Qty
------	-------------	-----

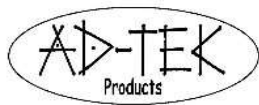


Description. 9u 19 inch 350mm Deep Desktop / Wall Mount Rack		Material.	Designed by Shane	Customer			
		1.2 Mild Steel	Date 09/11/2023	Ad-Tek			
Drawing No.	Rev.	Scale	Finish	Tolerance	Units 31-37, Broton Drive, Broton Industrial Estate, Halstead. Essex. CO9 1HB Telephone : 01787 474470 e-mail : sales@ad-tekproducts.co.uk		
AD9URX-LPC-350	0	1 : 1		+ / - 0.2mm			

All rights strictly reserved reproduction or issue to third parties in any form whatsoever is NOT permitted without written consent from Ad-Tek Products

Type	Name	Description	Qty
------	------	-------------	-----



Description.	9u 19 inch 350mm Deep Desktop / Wall Mount Rack		Material.	1.2 Mild Steel	Designed by Shane	Customer	Ad-Tek
	Drawing No.	Rev.		Scale	Finish		
AD9URX-LPC-350		0	1 : 1		09/11/2023		
					Tolerance		
					+ / - 0.2mm		

All rights strictly reserved reproduction or issue to third parties in any form whatsoever is NOT permitted without written consent from Ad-Tek Products