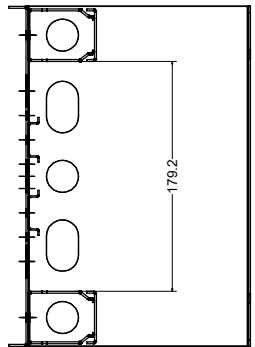


50 x 37.5 Finger trunking fitted for cable tidy / management

175



179.2

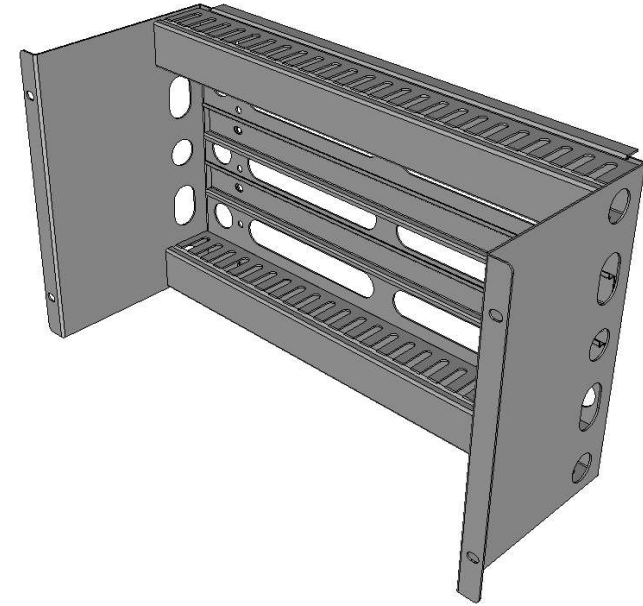


19"

425

6u Height

2off TS35 DIN rails fitted - which can be adjust



**Description.** 6u 19" Rack Mount DIN Rail Panel  
Bracket-Spec Sheet

**Material.**  
1.5 Mild Steel

Designed by  
Shane  
Date

**Customer**  
AD-TEK

**Drawing No.**  
6UDIN

**Rev.**  
0

**Scale**  
1 : 1

**Finish**  
Fine Tex Black

**Tolerance**  
+ / - 0.2mm

Units 31-37, Broton Drive, Broton Industrial Estate, Halstead. Essex. CO9 1HB  
Telephone : 01787 474470 e-mail : sales@ad-tekproducts.co.uk



All rights strictly reserved reproduction or issue to third parties in any form whatsoever is NOT permitted without written consent from Ad-Tek Products