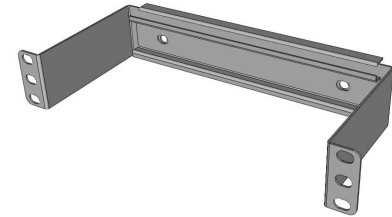
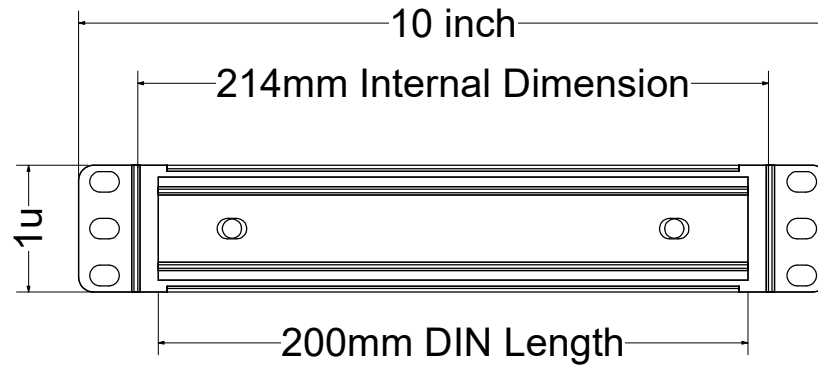
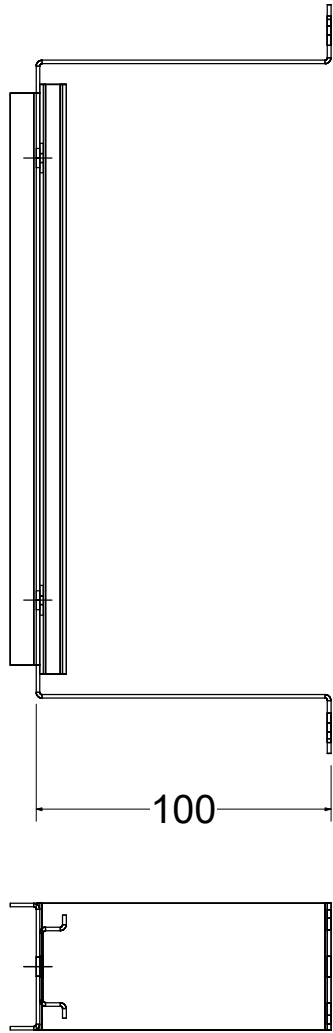


Type	Name	Description	Qty
------	------	-------------	-----



Description. 1U 10 inch rack Mount DIN Rail Panel Bracket		Material. 1.2 Mild Steel		Designed by Shane		Customer Ad-Tek	
				Date			
Drawing No. AD1UDIN-SOHO		Rev. 0	Scale 1 : 1	Finish		Tolerance + / - 0.2mm	
						Units 31-37, Broton Drive, Broton Industrial Estate, Halstead. Essex. CO9 1HB Telephone : 01787 474470 e-mail : sales@ad-tekproducts.co.uk	



All rights strictly reserved reproduction or issue to third parties in any form whatsoever is NOT permitted without written consent from Ad-Tek Products